

NOTES

HYDRANTS SHALL BE CLOW MEDALLION AND SHOULD HAVE ONE HYDRANT STEAMER STORZ KIT - 5" NH METAL FACE WITH STORZ CAP. IF LOCKING CAP IS DESIRED (OPTIONAL), THEN KNOXBOX.COM PART NUMBER 5049 IS TO BE USED WITH 16" BREAK OFF AND TWO (2)-TWO AND ONE-HALF INCH (2 1/2") THREADED NOZZLES.

ALL HYDRANTS AND GATE VALVES SHALL HAVE MECHANICAL JOINT CONNECTIONS. ALL VALVES TO OPEN COUNTER-CLOCKWISE.

ALL BACKFILL SHALL BE PROPERLY COMPACTED.

1 CANDY CANE STYLE FLAG PER HYDRANT.

WHEN INSTALLING A HYDRANT ROD EXTENSION, THE NONBREAKABLE COUPLING SLEEVES GO ON THE BOTTOM AND THE BREAKABLE SLEEVES GO ON THE TOP OF THE EXTENSION ROD.

FIRE HYDRANTS SHALL BE PAINTED YELLOW AT THE FACTORY.

POLYWRAP ALL PIPES AND FITTINGS, MEGA LUG ALL FITTINGS, INCLUDE CORROSION PROTECTION AT EACH JOINT.

ALL HYDRANTS SHALL BE INSTALLED WITH STORZ NOZZLE PERPENDICULAR TO ROADWAY.

WEEP HOLE TO REMAIN OPEN.

HYDRANTS TO CONFORM WITH DIMENSIONAL REQUIREMENTS FOR NONTHEADED CONNECTIONS IN ACCORDANCE WITH NFPA 1983 STANDARDS FOR FIRE HOSE CONNECTIONS.

DESIGN:	DATE:		
DRAWN:			
REVISIONS	3-1-2017	R. P.	

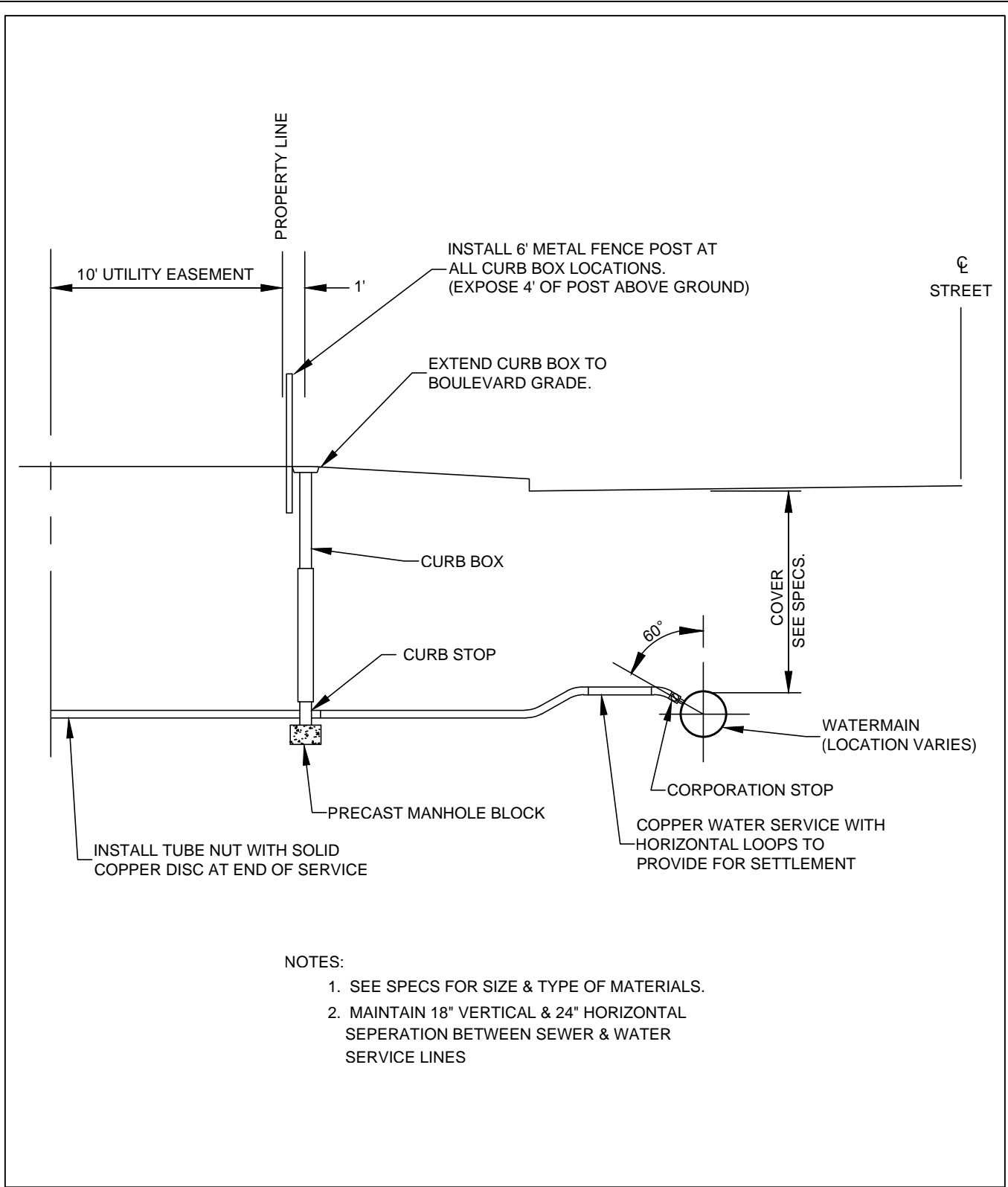


ENGINEERING DEPARTMENT

**HYDRANT AND GATE VALVE
INSTALLATION**

PLATE
NUMBER

W-1



- NOTES:
1. SEE SPECS FOR SIZE & TYPE OF MATERIALS.
 2. MAINTAIN 18" VERTICAL & 24" HORIZONTAL SEPERATION BETWEEN SEWER & WATER SERVICE LINES

DESIGN:	DATE:			
DRAWN:				
REVISIONS				

ROSEVILLE ENGINEERING DEPARTMENT
WATER MAIN SERVICE CONNECTION

PLATE NUMBER
W-2

Ford Abandoned Corp Cap

Style FACC

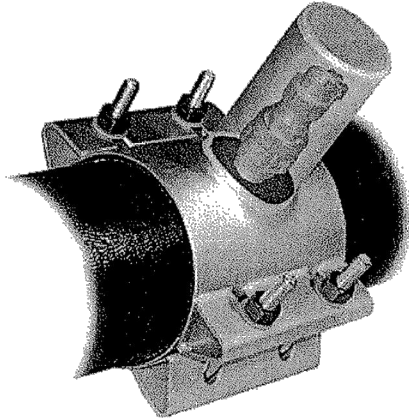
Accommodates nominal pipe sizes 4" through 24"

The Ford Abandoned Corporation Cap provides a quick and easy way to encapsulate corporation stops that are no longer used to provide water service.

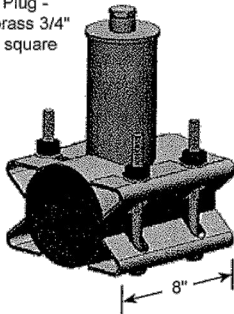
3" cap to encapsulate 1/2" through 1" corporation stops
 5" cap to encapsulate 1-1/4" through 2" corporation stops

Specifications:

Body: 18-8 type 304 stainless steel construction
Gasket: Gridded SBR full pad gasket
Outlet Gasket: Buna-N outlet gasket
Bolts and Nuts: 18-8 type 304 stainless steel hardware



Optional Test Plug -
 Waterworks brass 3/4"
 with standard square
 head



CAP SIZE	CORP RANGE
3"	1/2" - 1"
*5"	1-1/4" - 2"

NOMINAL PIPE SIZE	SLEEVE O.D. RANGE	CATALOG NUMBER WITH 3" OUTLET
4"	4.50-4.80	FACC-480
	4.80-5.00	FACC-500
	5.10-5.30	FACC-530
	5.20-5.40	FACC-540
*6"	6.63-7.00	FACC-700
	6.90-7.30	FACC-730
	7.30-7.50	FACC-750
*8"	8.63-9.05	FACC-905
	9.05-9.30	FACC-930
	9.30-9.60	FACC-960
	9.45-9.75	FACC-975
	10.75-11.10	FACC-1110
*10"	11.10-11.40	FACC-1140
	11.40-11.70	FACC-1170
	11.85-12.15	FACC-1215
*12"	12.75-13.20	FACC-1320
	13.20-13.50	FACC-1350
	13.50-13.80	FACC-1380
	14.10-14.40	FACC-1440
*14"	15.30-15.70	FACC-1570
	15.80-16.20	FACC-1620
	16.48-16.88	FACC-1688
	17.40-17.80	FACC-1780
*16"	17.75-18.15	FACC-1815
	18.15-18.60	FACC-1860
	18.80-19.20	FACC-1920
*18"	19.50-19.92	FACC-1992
	19.80-20.20	FACC-2020
	20.20-20.60	FACC-2060
*20"	21.20-21.60	FACC-2160
	23.80-24.20	FACC-2420
*24"	25.60-26.00	FACC-2600
	26.20-26.60	FACC-2660

Options Include:

Add "-TP" to end of catalog number for Test Plug option.
 Example: FACC-930-TP

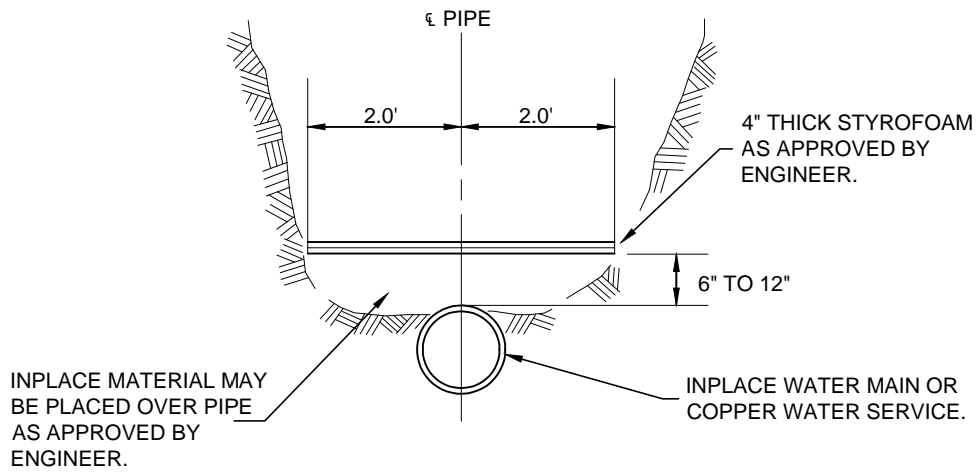
*Optional: 5" cap to encapsulate 1-1/4" through 2" corporation Stops, add "-XL" following the sleeve O.D.
 Example: FACC-930-XL


NOTES:

1. SEE SPECS FOR SIZE & TYPE OF MATERIALS.

L-20

DESIGN:	DATE: 8/22/13	 ENGINEERING DEPARTMENT WATER MAIN SERVICE DISCONNECTION	PLATE NUMBER
DRAWN:			W-3
REVISIONS			



DESIGN:	DATE:		PLATE NUMBER
DRAWN:			
REVISIONS		PIPE INSULATION DETAIL	W-4